

# Series 20 Desalinators

Capacities: 1,900 to 4,800 litres/day

The HEM Series 20 system is designed for small yachts where space is very limited. The system is available as a monobloc unit enclosed in an aluminium frame. This is compact without being inaccessible for routine service, and allows for fast, simple installation.

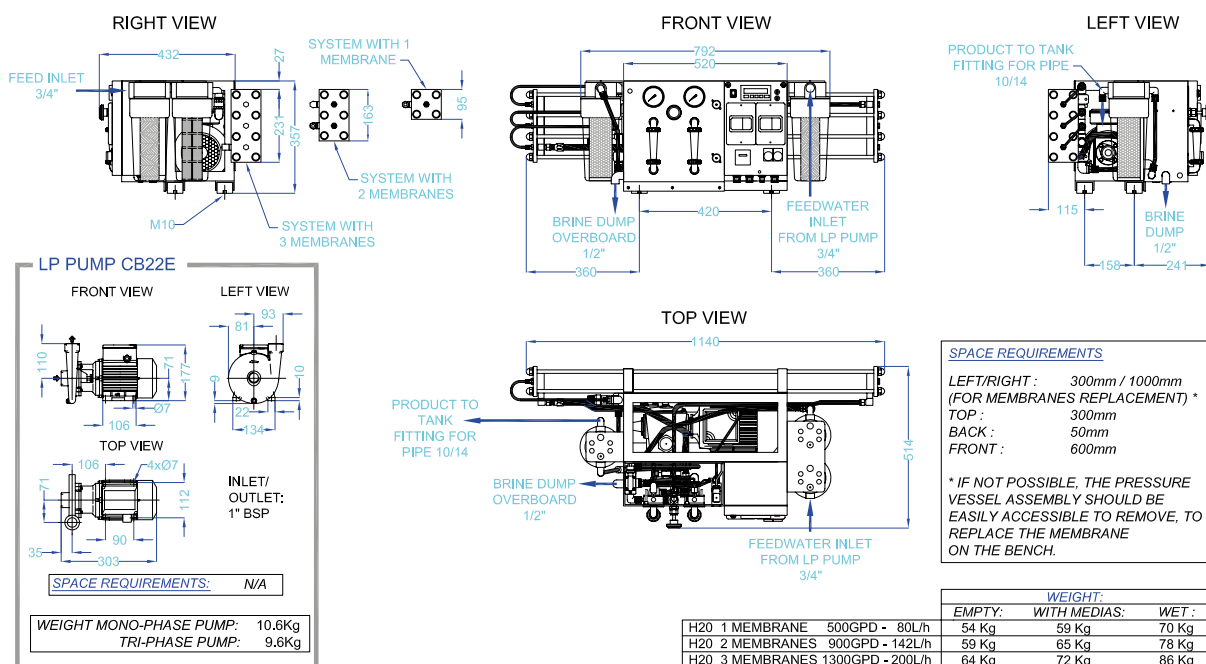


The unit can also be supplied in modular form, as seven smaller modules with a completely preplumbed and electrically preconnected main panel for flexible installation. To reduce the space requirements a small HP pump has been chosen which runs at 1450 rpm and is directly coupled to a 4 pole motor.

## Modular Form



## Dimensions



# Series 20 Desalinators

## Standard Equipment

### FEEDWATER PUMP

Bronze centrifugal close coupled horizontal pump.

### HIGH PRESSURE ASSEMBLY

Aluminium bronze HP pump with Ceramic plungers, close coupled to Tefc 1.5 kW electric main drive motor.

### PREFILTER ASSEMBLY

Dual 10 inch prefilter assembly, washable 60 micron, followed by 05 micron disposable cartridge.

### POST TREATMENT

Activated charcoal filtration of permeate.

### PIPES AND FITTINGS

All pipes in PE, and PVC.

LP fittings in PP and PVC.

HP fittings in marine brass.

### MEMBRANE PRESSURE VESSEL ASSEMBLY

TFC spiral wound membranes enclosed in compact design FRP pressure vessels with unique interconnection system.

### FRAMES AND MOUNTING HARDWARE

Frames, and panels in aluminium, powder epoxy coated, white (RAL 9016).

### INSTRUMENTATION AND CONTROLS

- Brine flowmeter
- Product flowmeter
- SST glycerine filled feedwater gauge
- SST glycerine filled HP gauge
- Manual SST pressure regulating valve
- Automatic shutdown by system overpressure
- Automatic shutdown by too low feedpressure
- Electric control box including hour meter, start & stop buttons, thermal protection for LP/HP pumps, remote alarm connections, alarm mute switch, digital permeate quality indicator
- Automatic bad quality water diversion system

### OPTIONAL EQUIPMENT

- Custom made prefilter system as required.
- Sandfilter assembly type 1035.
- Semi automatic flushing system.
- UV sterilizer.

## Technical Specifications

Model	Dry Weight	LPD*	LPH*
H2O FRAME 500	59 Kg	1900	80
H2O FRAME 900	65 Kg	3400	142
H2O FRAME 1300	72 Kg	4800	200
H2O KIT 500	61.1 Kg	1900	80
H2O KIT 900	66.9 Kg	3400	142
H2O KIT 1300	72 Kg	4800	200

- Feedwater flow 3.5 gpm - 13.25 lpm.
- Feedwater pressure 20 psi / 1.4 bar.
- Salt rejection Min 98.6%.
- Normal pressure with seawater 850psi / 58 bars.
- Power requirement 2 kW.
- Power supply 230V-1PH-50Hz

\* Capacities based on feedwater 35000 ppm, 25°C, pH 8, operating pressure 850 psi. Contact HEM for more complete specifications.

